



**DR. B. PITTALUGA & C. s.r.l.**

Via Ludovico Muratori, 18 – 24030 MOZZO (BG) - ITALIA

Fax (0039) 035/618710 - ☎ (0039) 035/466246

E-MAIL info@pittamix.it



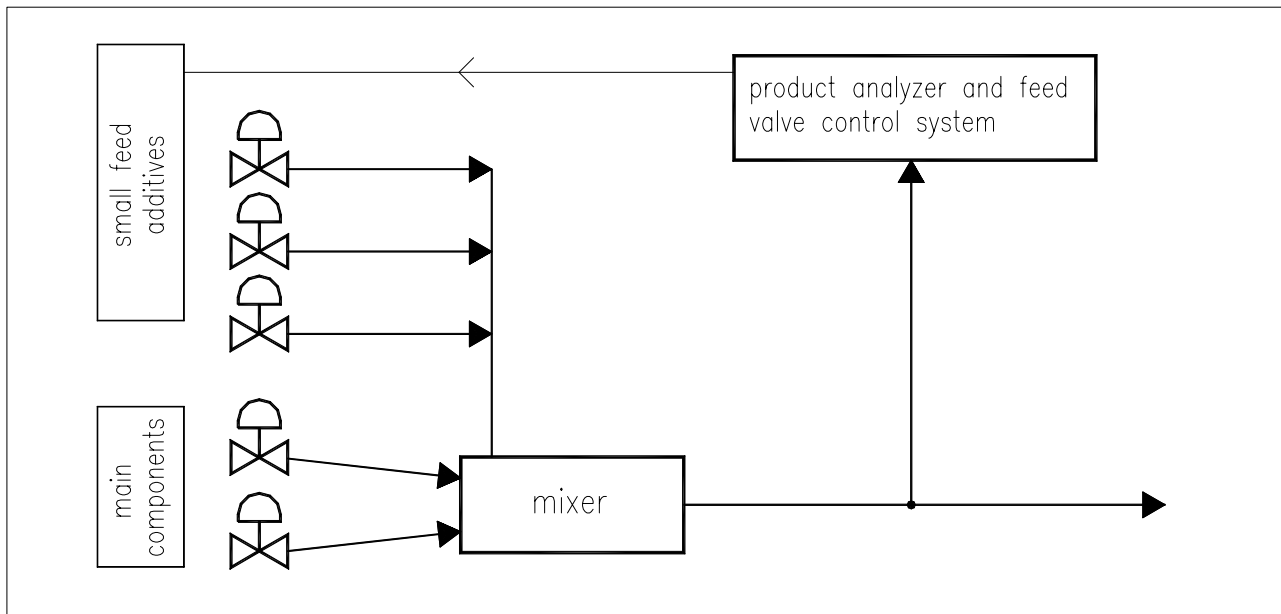
## MIXER APPLICATION SHEET no. 3:

### Oil Blending in Refinery

Any Refinery needs mixing of different products or admixing of small quantities of additives to obtain the final product, ready for the specific use or for delivery.

All miscible products blending operations can be executed in-line and streamlined by installing **Pittaluga Static Mixers**.

The value shown by the in-line analyzer becomes representative of the entire flow section, with high process improvement, as outlined below.



#### Pittaluga Static Mixers main features:

- ✓ No moving parts
- ✓ Excellent homogeneity
- ✓ Stock reduction, since products can be directly mixed just before delivery
- ✓ Minimum Pressure Drop: a few meters of water column
- ✓ Excellent mixing performance even in wide throughput ranges
- ✓ Made of either carbon or stainless steel and different alloys.